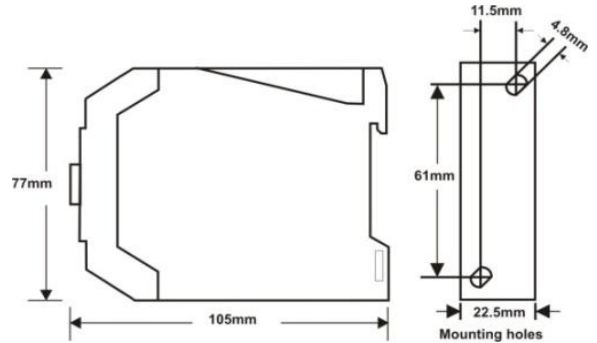
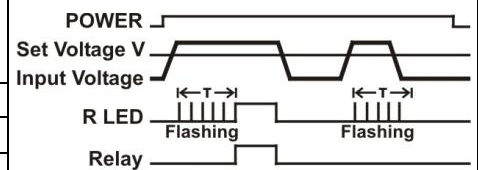


# Voltage Monitor Relay

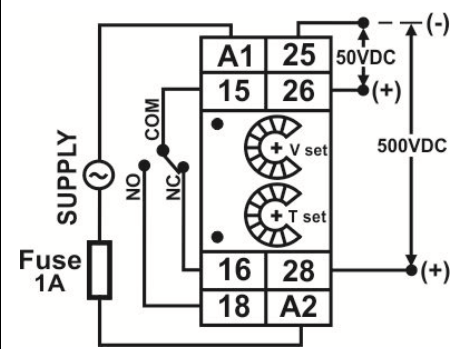


All dimensions in mm

<b>FEATURES</b>	<ul style="list-style-type: none"> <li>ON Delay</li> <li>Output Contact 1 C/O</li> <li>Selectable Input Range :                             <ul style="list-style-type: none"> <li>0 – 50VDC</li> <li>0 – 500VDC</li> </ul> </li> <li>High Reliability</li> <li>Compact</li> <li>DIN Rail / Base Mounting</li> </ul>	<b>TIME RANGES</b>	
		0 – 60 Sec	
<b>OPERATING MODES</b>	ON Delay		
<b>INDICATIONS</b>	LED Status Indicator : Power ON, Relay ON		
<b>SUPPLY VOLTAGE</b>	<b>SUPPLY VOLTAGE</b>	85 to 270V AC , 50 / 60Hz or 24VAC / DC (Recommended fuse : 1A, 230V AC Fast blow)	
	<b>POWER CONSUMPTION</b>	4VA Max	
	<b>INRUSH CURRENT</b>	Max. 2A@240V AC for 20ms / 5A@24VDC	
<b>ISOLATION</b>	Supply Terminals – Contact : 3KV, 1min.		
	Supply Terminals – Input Terminals : 3KV, 1min.		
	Contact – Input Terminals : 3KV, 1min.		
<b>OUTPUT SPECIFICATION</b>	<b>OUTPUT CONTACT</b>	SPDT (1 C/O)	
	<b>CONTACT RATING</b>	5A@230V AC / 12V DC, Resistive	
<b>ACCURACY</b>	Setting: ± 5% of Full Scale, Repeat: ±0.5% or 50msec of Full Scale.		
<b>RESET</b>	On interruption of power, Reset time < 100msec		
<b>ENDURANCE</b>	<b>POTENTIOMETER</b>	MECHANICAL : 1000 Cycles	
	<b>RELAY</b>	MECHANICAL : 10,000,000 ops. Minimum (1800 ops./h) ELECTRICAL : 100,000 ops. Minimum (1200 ops./h)	
<b>AMBIENT CONDITIONS</b>	<b>OPERATING AMBIENT</b>	0–55°C, 85% RH	
	<b>STORAGE AMBIENT</b>	-20°C to 85°C	
	<b>HUMIDITY</b>	95% RH non condensing	
<b>GENERAL SPECIFICATIONS</b>	<b>TERMINATIONS</b>	Screw type, for 2.5mm sq. wire	
	<b>MOUNTING</b>	DIN rail / Base Mount	
	<b>WEIGHT</b>	100 gms	
	<b>PROTECTION LEVEL</b>	IP40 for housing, IP20 for terminals, Finger Safe Terminals	
<b>ORDERING INFORMATION</b>	<b>AS690-XXX</b>		
	<b>ORDER CODE</b>	<b>INPUT VOLTAGE (DC)</b>	<b>SUPPLY VOLTAGE</b>
	AS690-101	101 : Terminals 25 & 26 – 0 to 10VDC (Max. 20VDC) : Terminals 25 & 28 – 0 to 100VDC (Max. 200VDC)	85-270VAC
	AS690-102	102 : Terminals 25 & 26 – 0 to 50VDC (Max. 100VDC) : Terminals 25 & 28 – 0 to 500VDC (Max. 1000VDC)	
	AS690-201	201 : Terminals 25 & 26 – 0 to 10VDC (Max. 20VDC) : Terminals 25 & 28 – 0 to 100VDC (Max. 200VDC)	24VAC / DC
AS690-202	202 : Terminals 25 & 26 – 0 to 50VDC (Max. 100VDC) : Terminals 25 & 28 – 0 to 500VDC (Max. 1000VDC)		



**Timing Diagram**



**Terminal Connections**