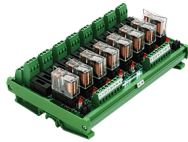


IMREF2SSxx/ 12/OM



connectwell
THE RIGHT CONNECTION

Relay Module 2CO 12VDC (DPDT) With Input Fuse Protection

- Replaceable fuses with simple to operate Horizontal fuse holders
- Fast Blow & Slow Blow fuses available as standard
- Fuse ratings from 0.1 A to 6.3 A available.
- Variety of Operating Voltages.
- Switching Current upto 5 A at 230 VAC (or 30 VDC).
- Low Coil Drive Current(4.7 mA to 100 mA)
- Easy to replace pluggable relays-possibility of Bussing (Jumpering) relays in common negative or common positive configurations.
- Green LED indication to denote relay actuation.
- Freewheeling diode across relay coil.
- Red LED indication to denote fuse fail indication
- Mounting Options available:DIN Rail mounting & Panel mounting.

TECHNICAL DATA

| | |
|-------------------------------|----------------------------------|
| Bussing Possibility | By using spare jumpers. |
| Relay on Indication | 3mm Red LED |
| Relay Protection Method | Using 1N4007 Free Wheeling Diode |
| Ambient Operating Temperature | -20to+50 °C |
| Mounting Possibility | DIN32 / DIN35 / DIN35-15 / PANEL |
| Housing Material | PVC / V0 Grade |
| Housing Colour | Green |

FUSE SPECIFICATIONS

| | |
|-------------|---|
| Fuse Type | Fast Blow/Slow Blow |
| Fuse Rating | 0.1, 0.5, 0.63, 1, 2, 3, 4, 5, 6, 6.3 A |
| Fuse Size | 5 x 20 mm |

RELAY INPUT / COIL SPECIFICATIONS

| | |
|---------------------------|----------|
| Nominal Operating Voltage | 12 VDC |
| Nominal Input Current | 43.6 mA |
| Maximum Operating Voltage | 13.2 VDC |
| Must Operate Voltage | 8.4 VDC |
| Must Release Voltage | 1.8 VDC |
| Coil Resistance | 275 Ω |

RELAY OUTPUT/CONTACT SPECIFICATIONS

| | |
|--|------------------|
| Contact Type | DPDT- 2CO |
| Contact Material | AgCdO |
| Rated Contact Current (Resistive Load) | 5 A |
| Load Voltage Range | 380 VAC, 125 VDC |
| Maximum Operating Frequency | 1800 Opr./Hr |

FUSE HOLDER SPECIFICATIONS

| | |
|---------------|------------|
| Mounting type | Horizontal |
| Cap Design | Flat |

FUSE HOLDER SPECIFICATIONS

| | |
|---------------|-----------|
| Fuse Size | 5 x 20 cm |
| Rated Current | 6.3 A |

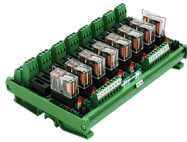
CONNECTION SPECIFICATIONS

| | |
|-----------------------|---------------------|
| Type of Connection | Screw Connection |
| Min. Wire Size | 0.5 mm ² |
| Max. Wire Size | 2.5 mm ² |
| Min. Wire Size(AWG) | 30 AWG |
| Max. Wire Size(AWG) | 14 AWG |
| Wire Stripping Length | 8.3 mm |
| Torque | 0.5 Nm |
| Torque | 4.5 lb-in |

ORDERING INFORMATION

| CAT. NO. | DESCRIPTION | NO. OF CHN. | DIM. DET. | STD. PACK |
|-------------------|--|-------------|----------------|-----------|
| IMREF2SS1 /12/OM | 2CO 1CH 12VDC Input Fuse Relay Module With Base(Pluggable Relay) Rail Mount | 1 | 26 X 120 X 74 | 1 |
| IMREF2SS2 /12/OM | 2CO 2CH 12VDC Input Fuse Relay Module With Base(Pluggable Relay) Rail Mount | 2 | 39 X 120 X 74 | 1 |
| IMREF2SS4 /12/OM | 2CO 4CH 12VDC Input Fuse Relay Module With Base(Pluggable Relay) Rail Mount | 4 | 69 X 120 X 74 | 1 |
| IMREF2SS8 /12/OM | 2CO 8CH 12VDC Input Fuse Relay Module With Base(Pluggable Relay) Rail Mount | 8 | 130 X 120 X 74 | 1 |
| IMREF2SS16 /12/OM | 2CO 16CH 12VDC Input Fuse Relay Module With Base(Pluggable Relay) Rail Mount | 16 | 254 X 120 X 74 | 1 |
| IMREF2S1/12/OM | 2CO 1CH 12VDC Input Fuse Relay Module With Soldered Relay Rail Mount | 1 | 23 X 120 X 74 | 1 |

IMREF2SSxx/
12/OM

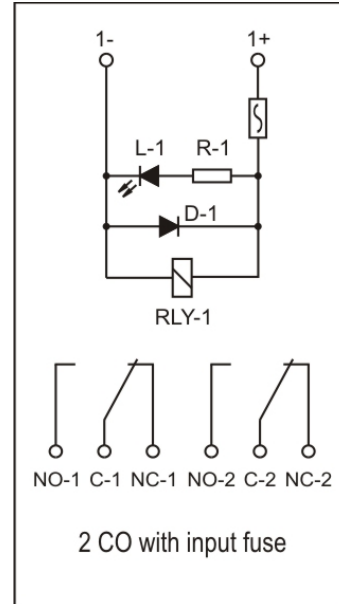


connectwell
THE RIGHT CONNECTION

ORDERING INFORMATION

| CAT. NO. | DESCRIPTION | NO. OF CHN. | DIM. DET. | STD. PACK |
|---------------------|---|-------------|----------------|-----------|
| IMREF2S2/1 2/OM | 2CO 2CH 12VDC Input Fuse Relay Module With Soldered Relay Rail Mount | 2 | 39 X 120 X 74 | 1 |
| IMREF2S4/1 2/OM | 2CO 4CH 12VDC Input Fuse Relay Module With Soldered Relay Rail Mount | 4 | 69 X 120 X 74 | 1 |
| IMREF2S8/1 2/OM | 2CO 8CH 12VDC Input Fuse Relay Module With Soldered Relay Rail Mount | 8 | 130 X 120 X 74 | 1 |
| IMREF2S16/ 12/OM | 2CO 16CH 12VDC Input Fuse Relay Module With Soldered Relay Rail Mount | 16 | 254 X 120 X 74 | 1 |

CIRCUIT DIAGRAM



ACCESSORIES

| IMAGES | CAT. NO. | DESCRIPTION | STD. PACK |
|--------|---------------|---|-----------|
| | CA501-1M | Din 32 Rail unslotted 1 meter | 50 |
| | CA501-1M-S | Din 32 Rail slotted 1 meter | 50 |
| | CA501-2M | Din 32 Rail unslotted 2 meter | 50 |
| | CA501-2M-S | Din 32 Rail slotted 2 meter | 50 |
| | CA701-1M | Din 35 Rail unslotted 1 meter | 50 |
| | CA701-2M | Din 35 Rail unslotted 2 meter | 50 |
| | CA701-2M-S | Din 35 Rail slotted 2 meter | 50 |
| | CA701-1M-S | Din 35 Rail slotted 1 meter | 50 |
| | CA701-15-1M | Din 35 Rail 15 deep unslotted 1 meter | 50 |
| | CA701-15-1M-S | Din 35 Rail 15 deep slotted 1 meter | 50 |
| | CA701-15-2M | Din 35 Rail 15 deep unslotted 2 meter | 50 |
| | CA701-15-2M-S | Din 35 Rail 15 deep slotted 2 meter | 50 |
| | CA509/K2 | Marking Tag Blank suitable for CDL4U / CDL4U(I.S) / CTL2.5U / CTL2.5UH / CTL2.5UL / CTL2.5HUL / CTL2.5U(I.S) / CTL2.5U(I.S)D2 / CGMT4 / CSFL4U / CSFL4U(L) / CMT4 / CMB4 / ASF4 / ASF4(L) / CTS2.5(| 100 |
| | SCS0.5/3 | Electricians Screwdriver for slotted screws | 10 |

NOTES

* Module Lengths mentioned are for RAIL Mounting option only. The lengths may vary for PANEL Mounting.
 ** PANEL Mounting relay modules are available on request. Please use the suffix -P with the cat. no. for ordering.
 ***Module with Other Coil Voltage like 6 VDC, 48 VDC, 24 VAC etc. are available on request.