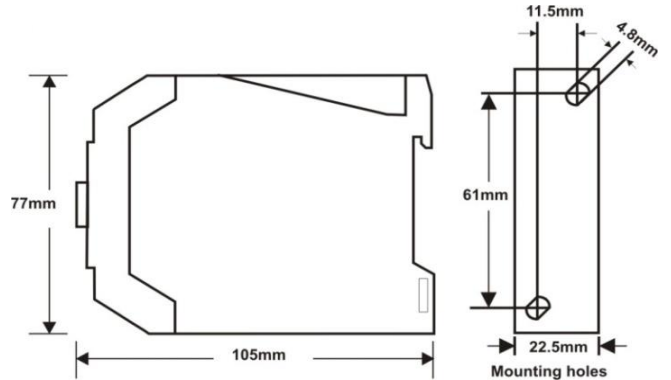


# ANALOG TIMER : TADU-30H-U

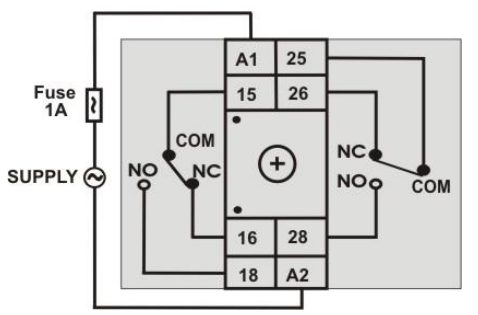
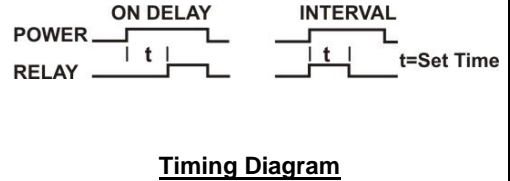
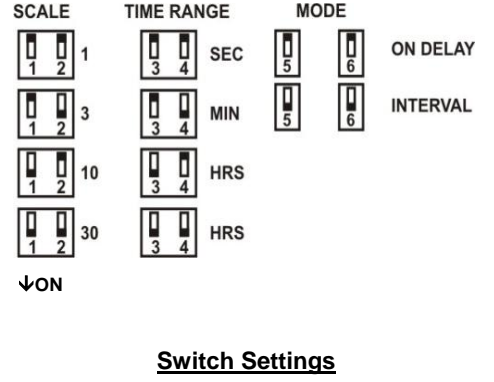


**ON Delay / Interval – Long Duration, Universal**

**Dimensions**

All dimensions in mm

<b>FEATURES</b>	<ul style="list-style-type: none"> <li>ON Delay / Interval</li> <li>12 time ranges</li> <li>Universal Supply Voltage</li> <li>Low Cost</li> <li>High Reliability</li> <li>Compact</li> <li>DIN Rail / Base Mounting</li> </ul>	<b>TIME RANGES</b>	<b>SCALE</b>  1 2 3 4 1 2 3 4 1 2 3 4 1 2 3 4 ↓ON	<b>TIME RANGE</b> 3 4 SEC 3 4 MIN 3 4 HRS 3 4 HRS	<b>MODE</b> 5 6 ON DELAY 5 6 INTERVAL
		0 – 1 Sec / Min / Hr 0 – 3 Sec / Min / Hr 0 – 10 Sec / Min / Hr 0 – 30 Sec / Min / Hr (switch selectable) ( Refer NOTE below )			
<b>OPERATING MODES</b>	ON Delay / Interval (switch selectable)				
<b>INDICATIONS</b>	LED Status Indicator : Power ON, Relay ON				
<b>SUPPLY VOLTAGE</b>	<b>SUPPLY VOLTAGE</b>	20 to 240V AC , 47 – 63Hz or 12 to 240V DC (Refer ordering information below)			
	<b>POWER CONSUMPTION</b>	2VA Max			
	<b>INRUSH CURRENT</b>	Max. 5A@240V AC for 20ms, 500mA@12VDC			
<b>ISOLATION</b>	Supply Terminals – Contacts : 1.5KV, 1min Contact Set1 – Contact Set2 : 1.5KV, 1min				
<b>OUTPUT SPECIFICATION</b>	<b>OUTPUT CONTACT</b>	DPDT (2 C/O)			
	<b>CONTACT RATING</b>	5A@230V AC / 24V DC, Resistive			
<b>ACCURACY</b>	Setting : ± 5% of Full Scale, Repeat : ± 0.5% or 50msec				
<b>RESET</b>	On interruption of power, Reset timer < 100msec				
<b>ENDURANCE</b>	<b>POTENTIOMETER</b>	MECHANICAL : 1000 Cycles			
	<b>RELAY</b>	MECHANICAL : 10,000,000 ops. Minimum (1800 ops./hr.) ELECTRICAL : 100,000 ops. Minimum (1200 ops./hr.)			
<b>AMBIENT CONDITIONS</b>	<b>OPERATING AMBIENT</b>	0–55°C, 85% RH			
	<b>STORAGE AMBIENT</b>	-20°C to 85°C			
	<b>HUMIDITY</b>	95% RH non condensing			
<b>GENERAL SPECIFICATIONS</b>	<b>TERMINATIONS</b>	Screw type, for 2.5mm sq. wire			
	<b>MOUNTING</b>	DIN rail / Base Mount			
	<b>WEIGHT</b>	120 gms			
	<b>PROTECTION LEVEL</b>	IP40 for housing, IP20 for terminals, Finger Safe Terminals			
<b>ORDERING INFORMATION</b>	<b>TADU – 30H – U</b>				
	<b>DESIGN NO.</b>	<b>SUPPLY VOLTAGE</b>			
	TADU-30H	U : 20 to 240V AC , 47-63Hz or 12 to 240V DC			



**NOTE :** If the time setting is altered , it will be effective from next cycle.